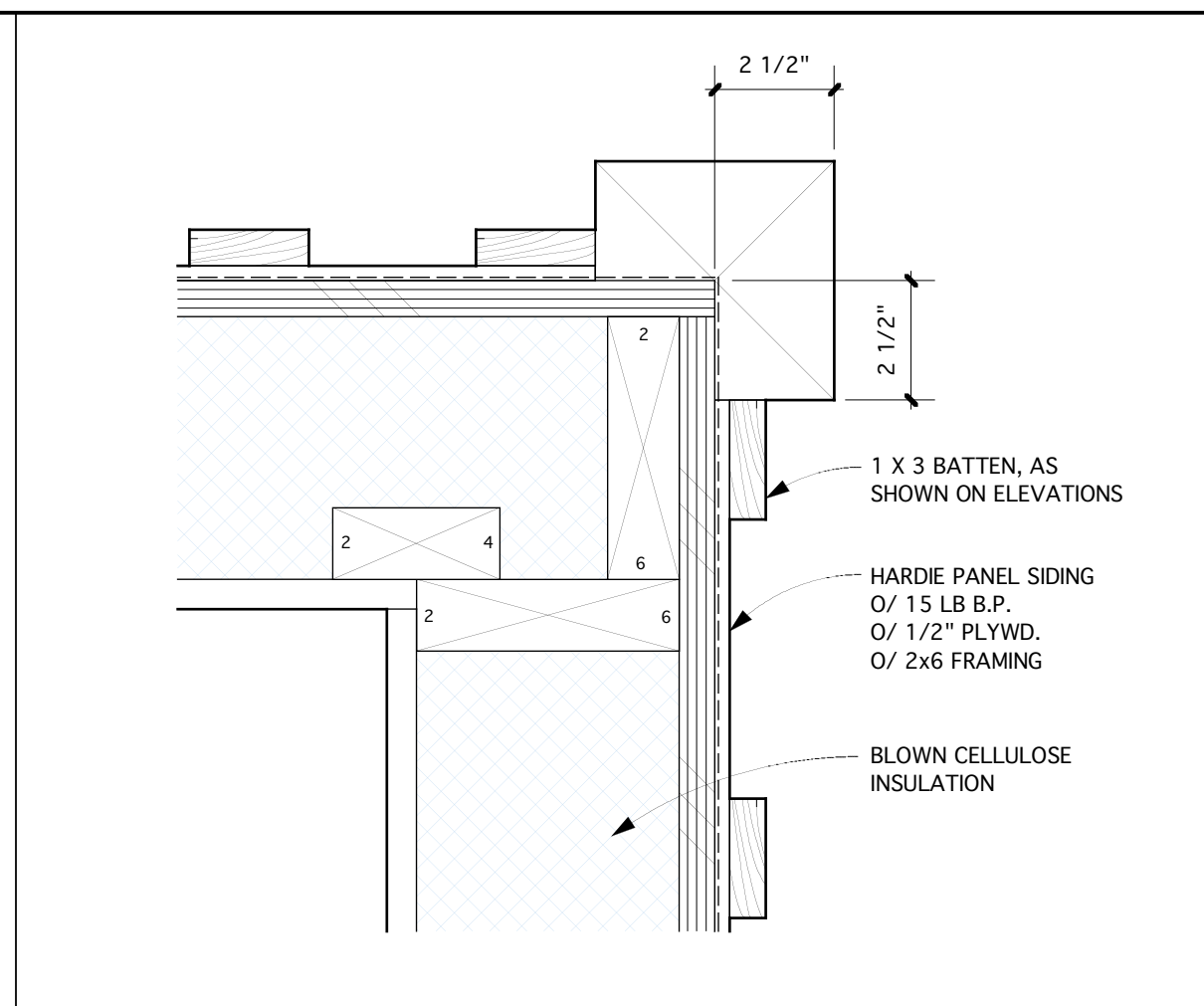
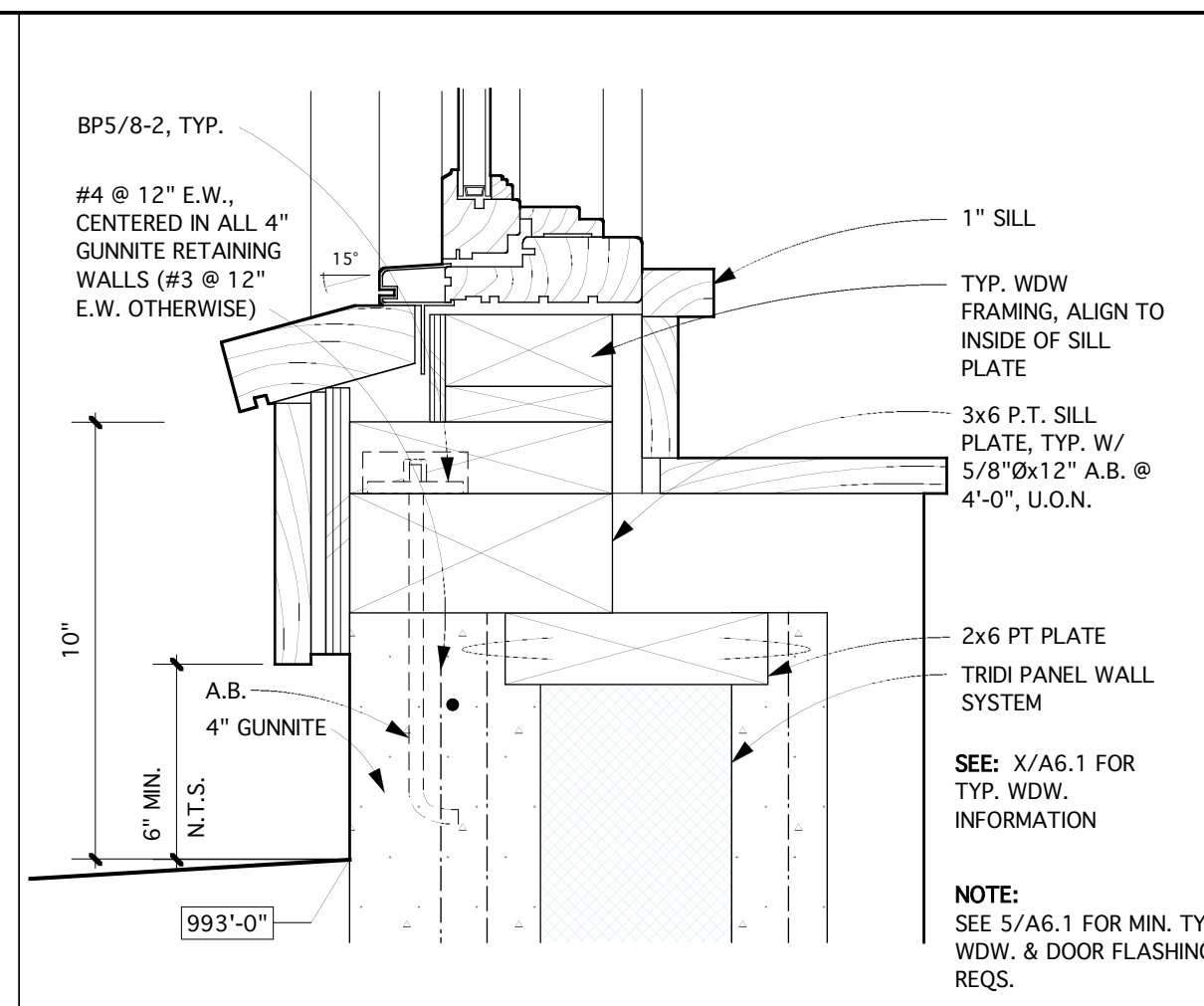


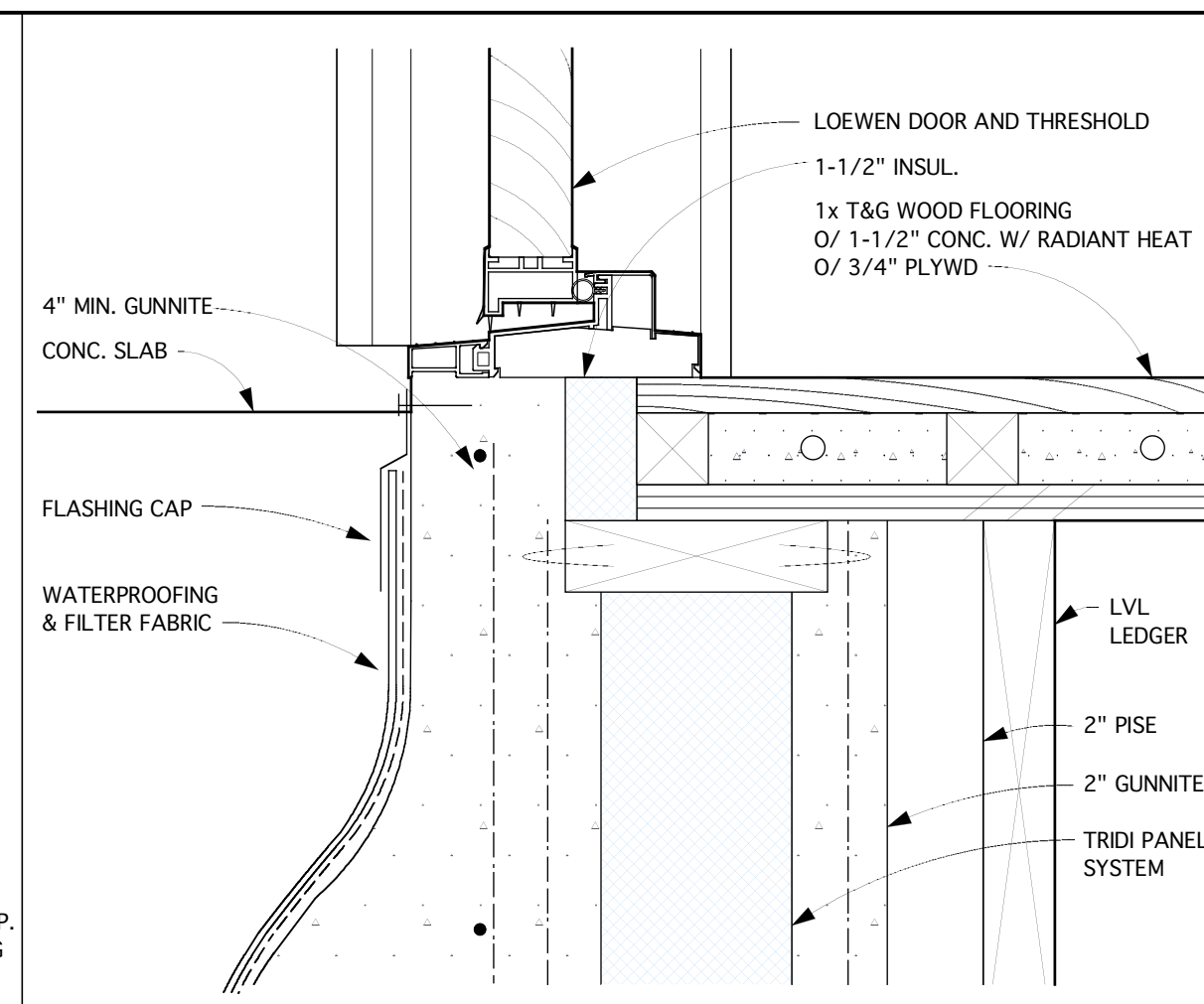
20 PLAN @ WEST PILASTER  
 A6.0 SCALE: 3" = 1'-0"



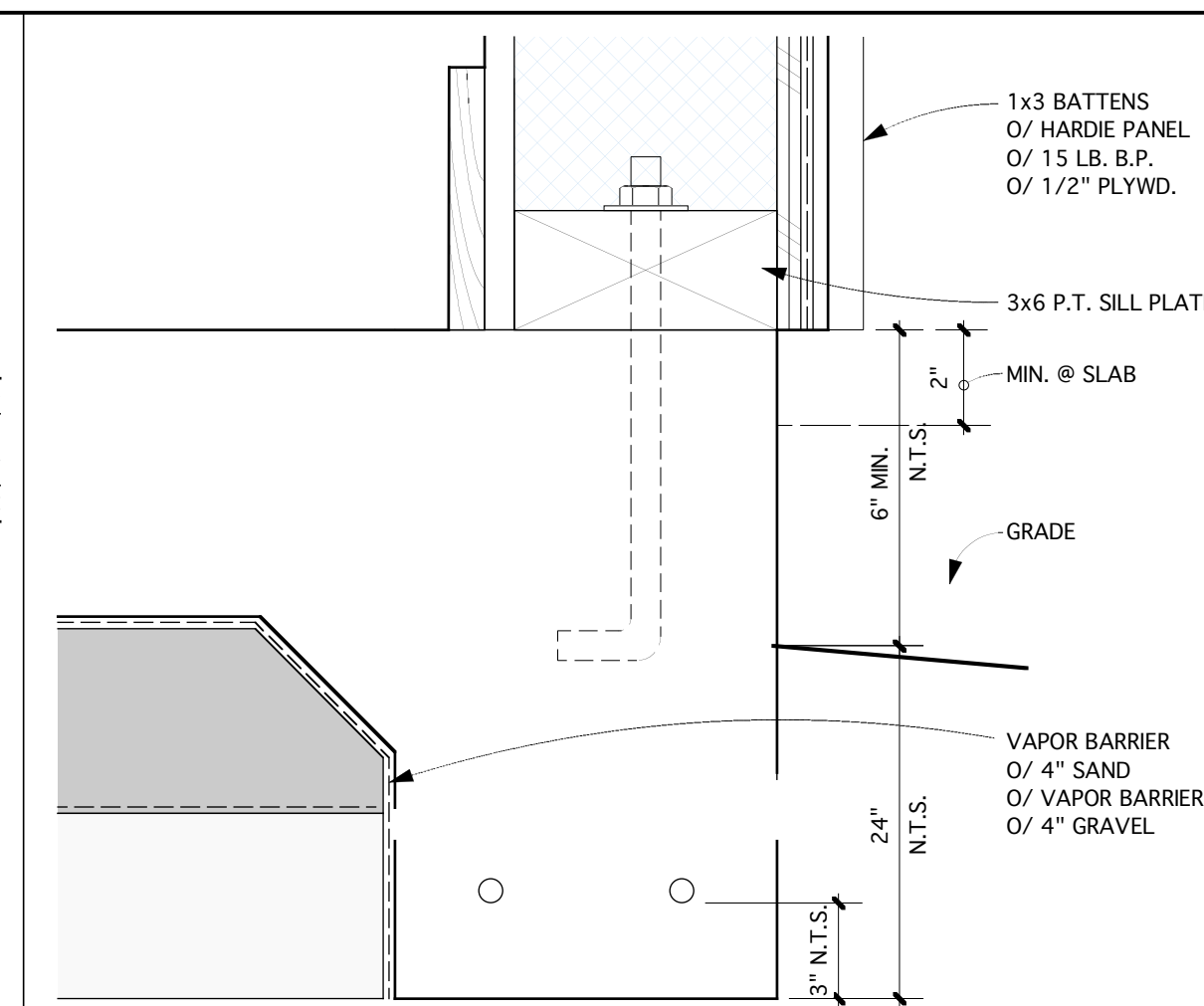
16 OUTBOARD POST @ WALL  
 A6.0 SCALE: 3" = 1'-0"



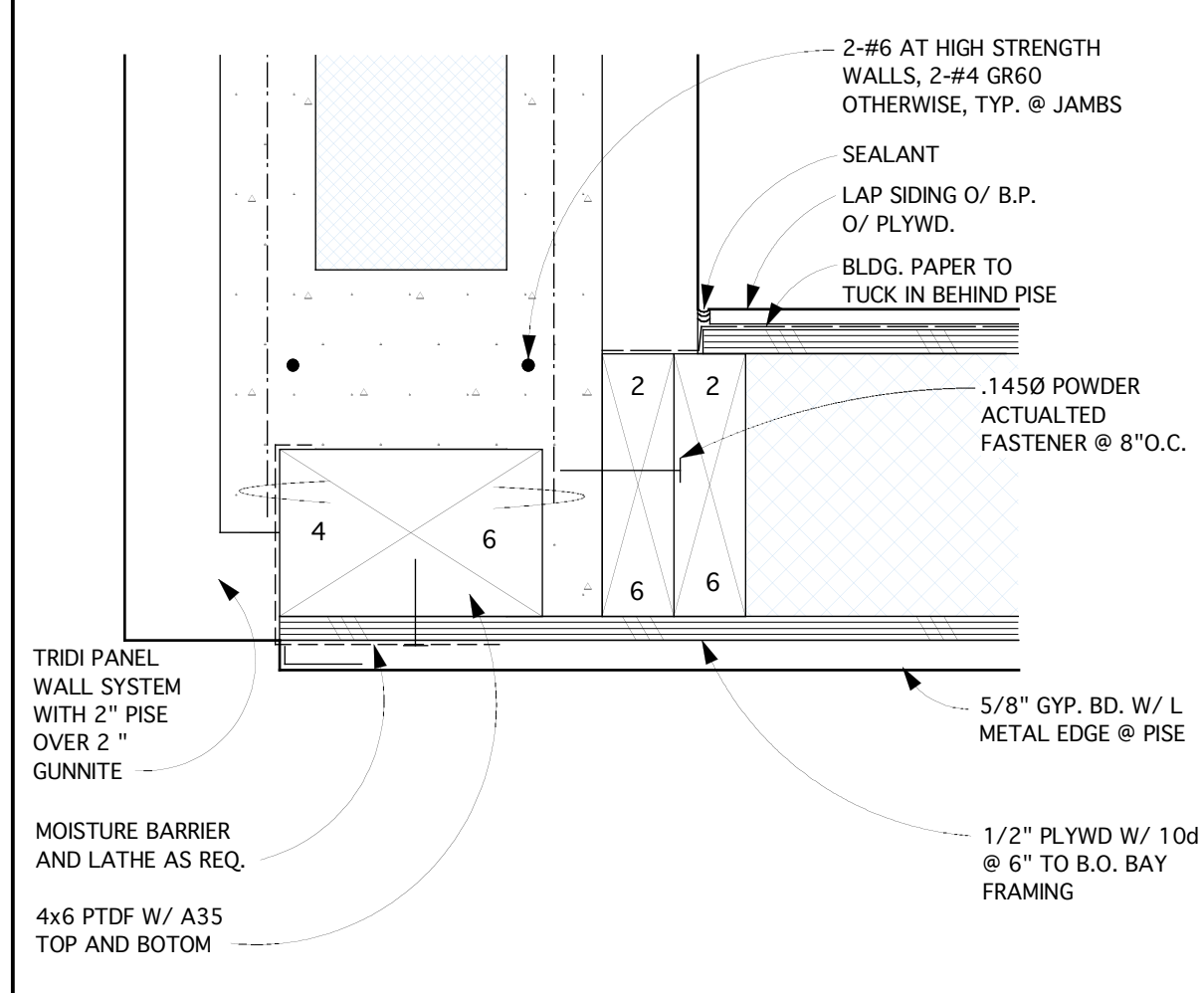
12 WDW SILL @ STAIRS  
 A6.0 SCALE: 3" = 1'-0"



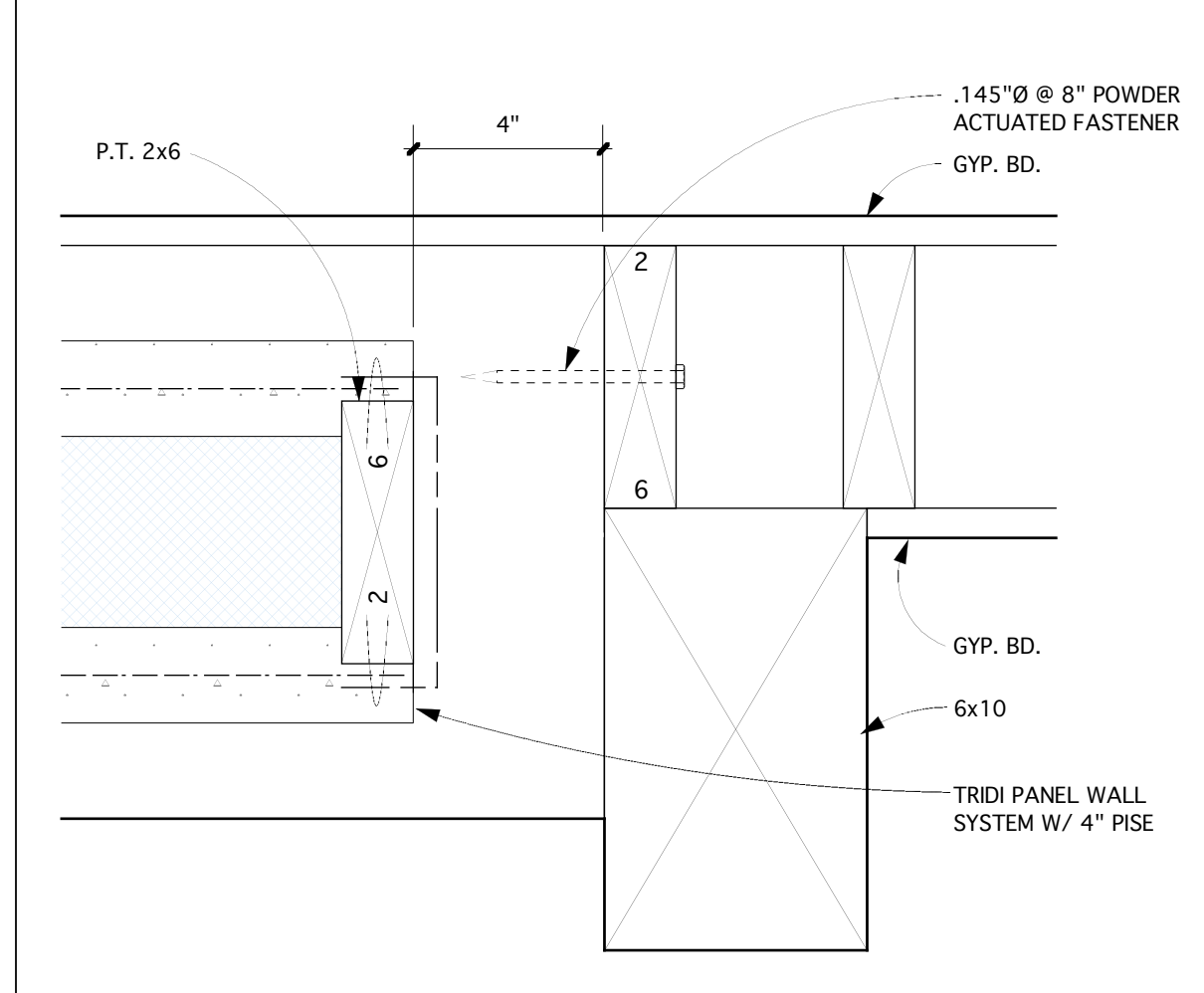
8 THRESHOLD @ DOOR J  
 A6.0 SCALE: 3" = 1'-0"



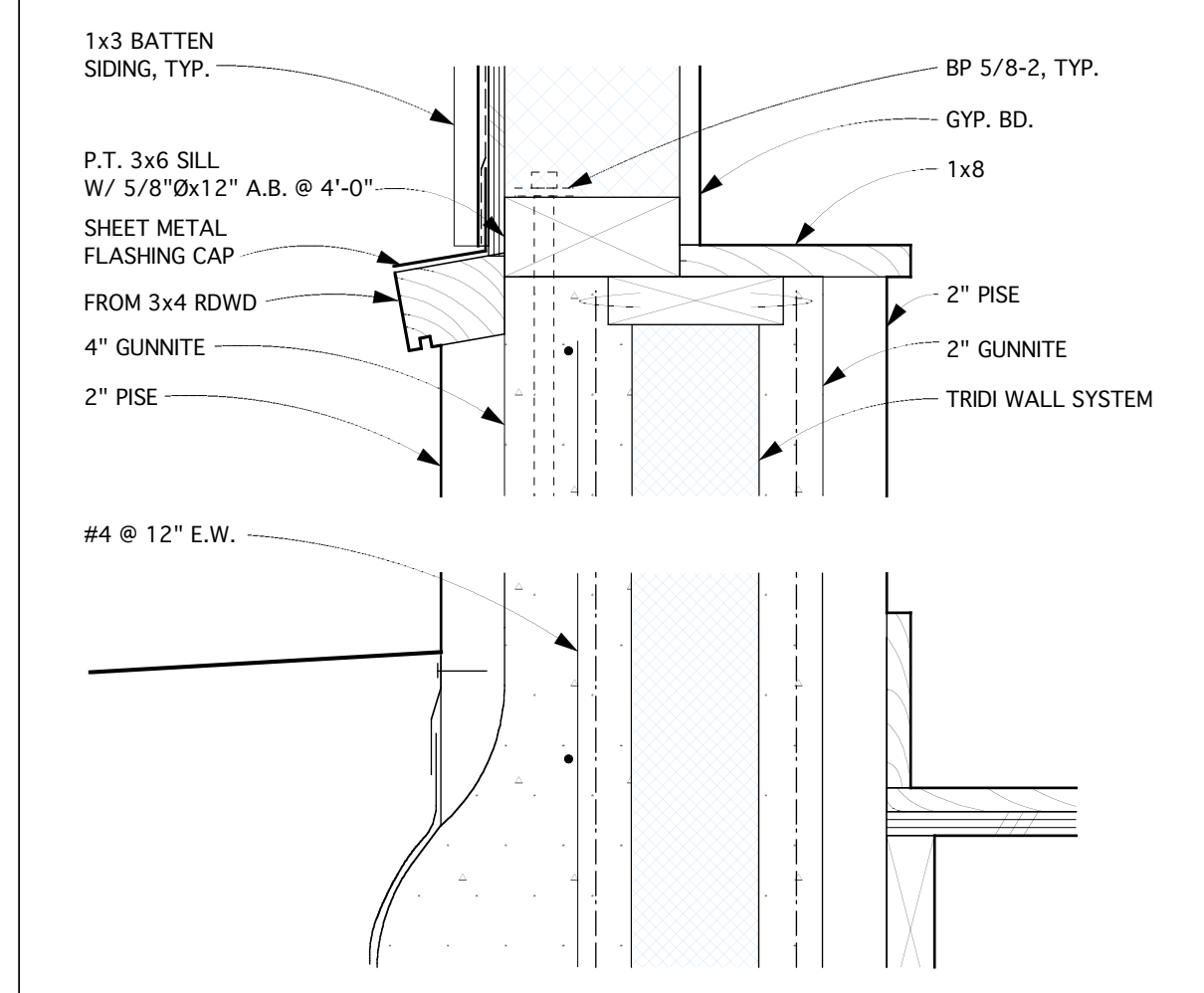
4 FDN @ POOL HOUSE  
 A6.0 SCALE: 3" = 1'-0"



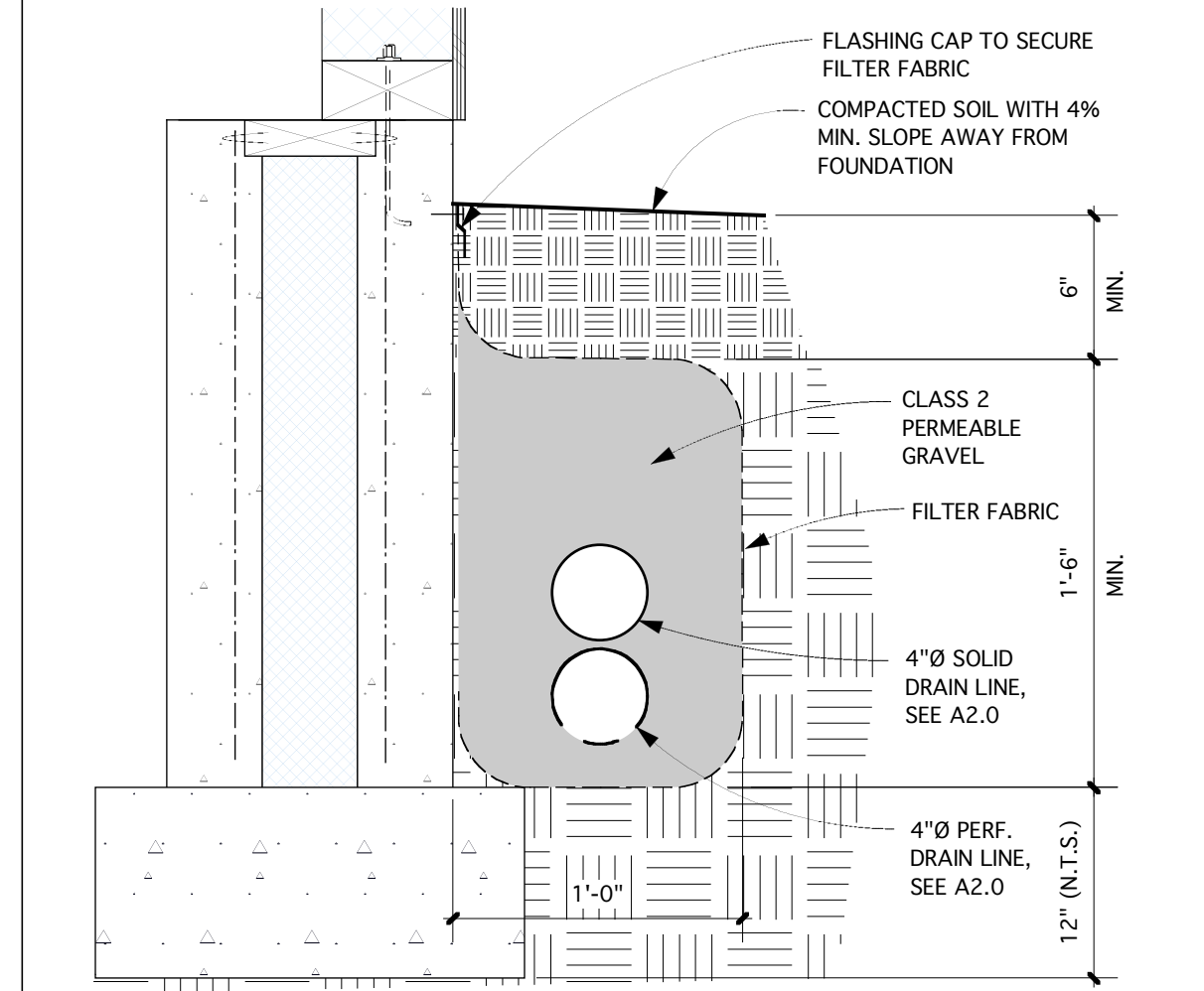
19 WALL TO WALL @ BAY  
 A6.0 SCALE: 3" = 1'-0"



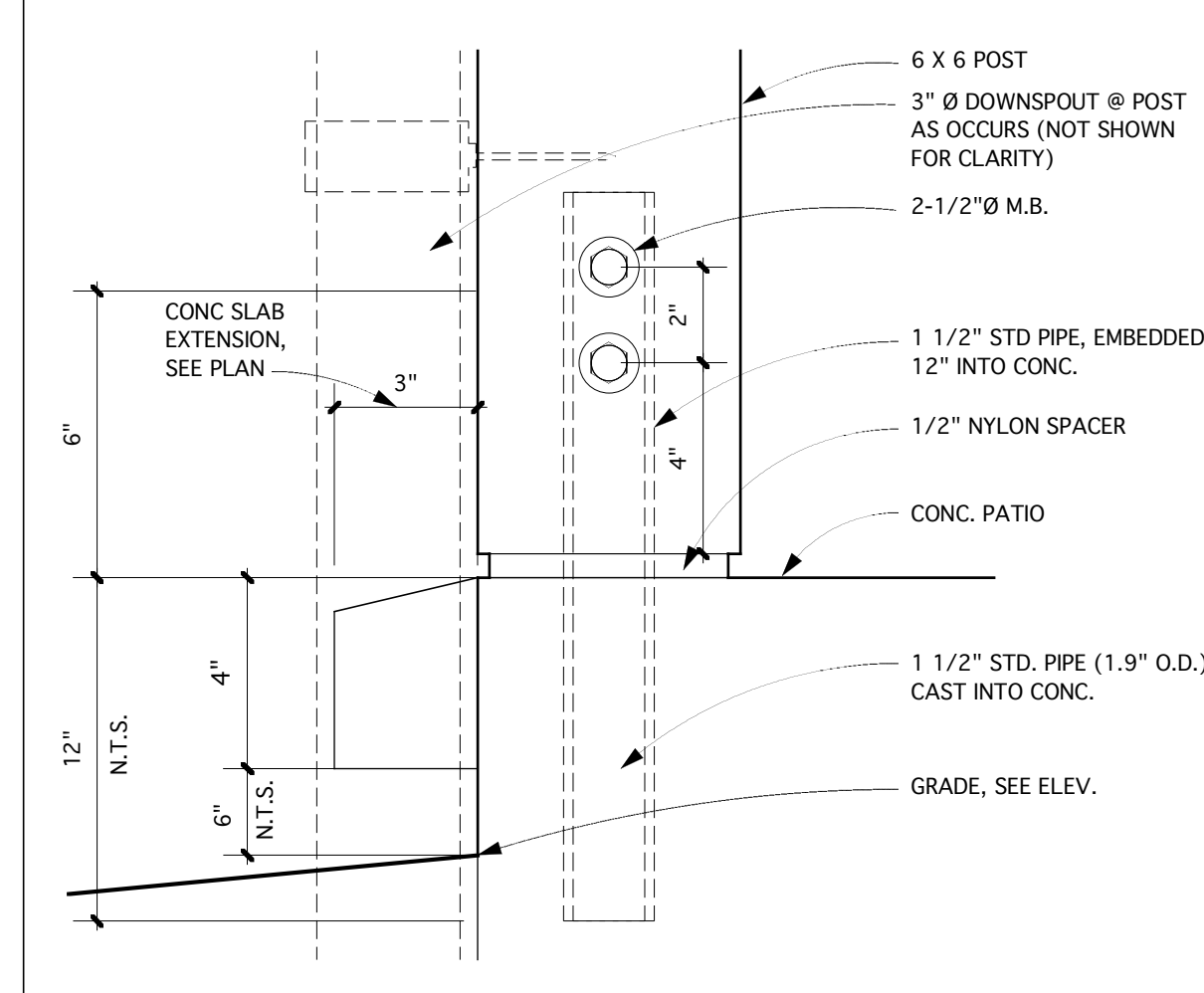
15 WALL TO WALL  
 A6.0 SCALE: 3" = 1'-0"



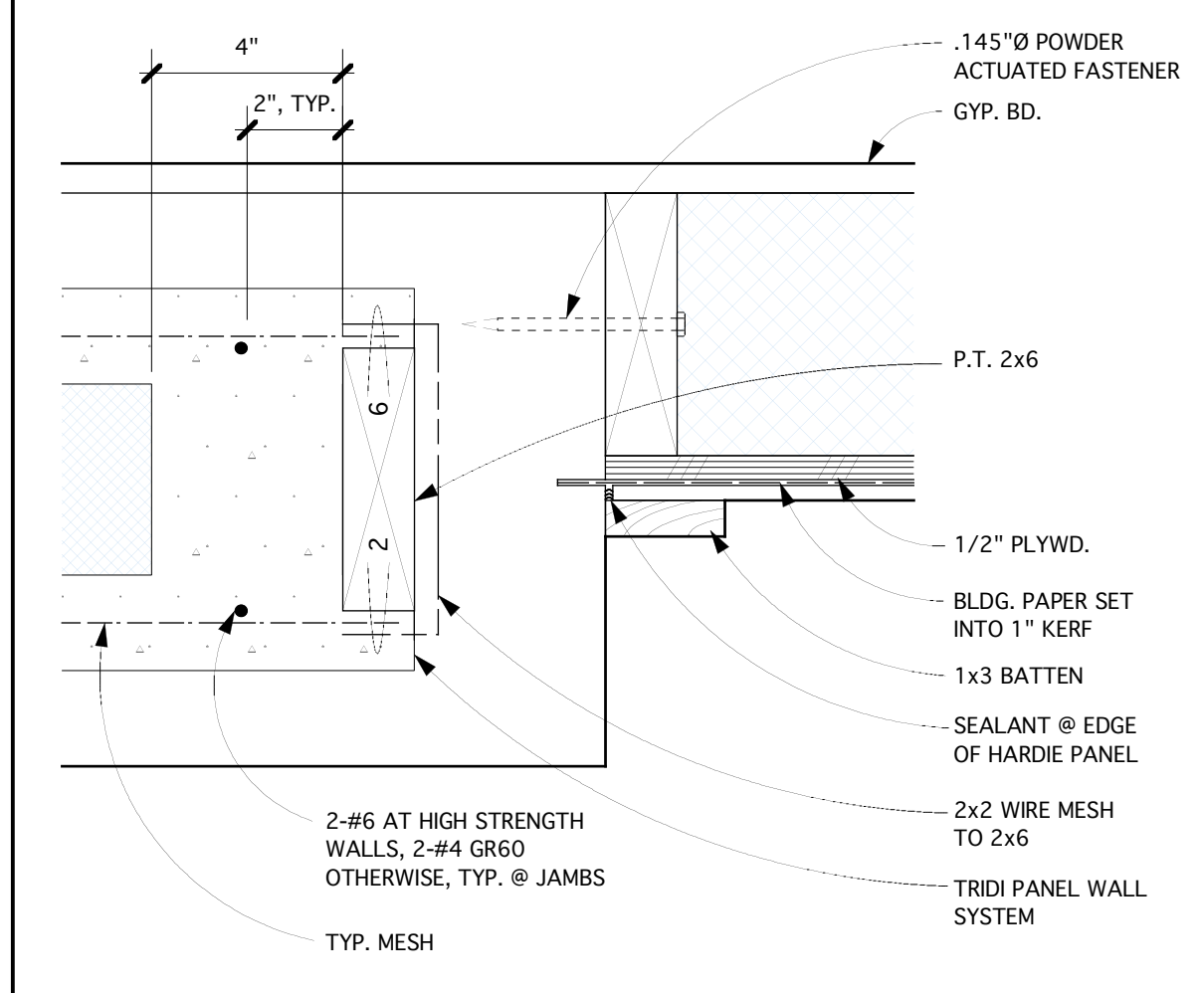
11 TOP OF RETAINING WALL @ EXPOSED CONDITION  
 A6.0 SCALE: 2" = 1'-0"



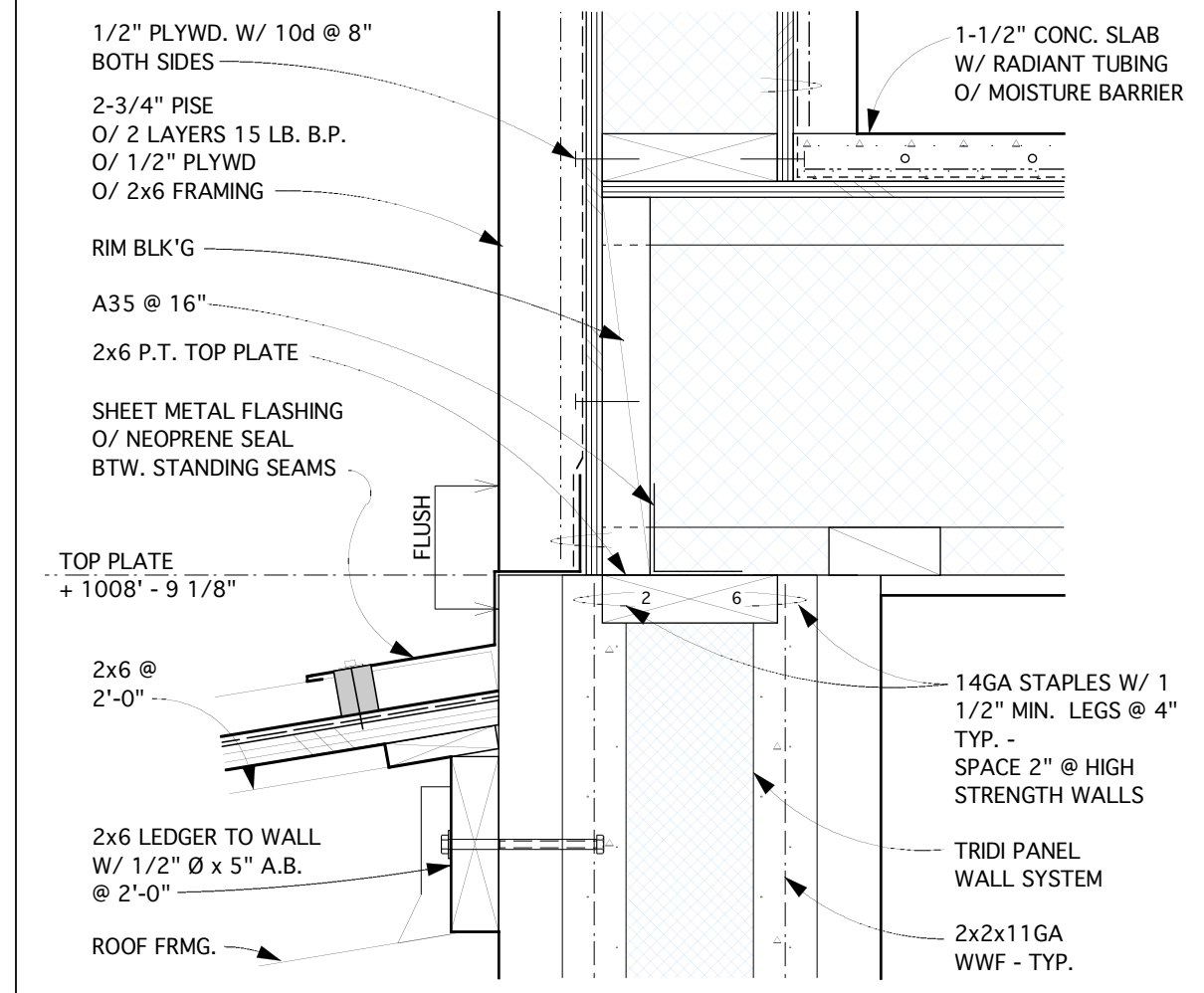
7 TYP. SUB-GRADE DRAINAGE  
 A6.0 SCALE: 1 1/2" = 1'-0"



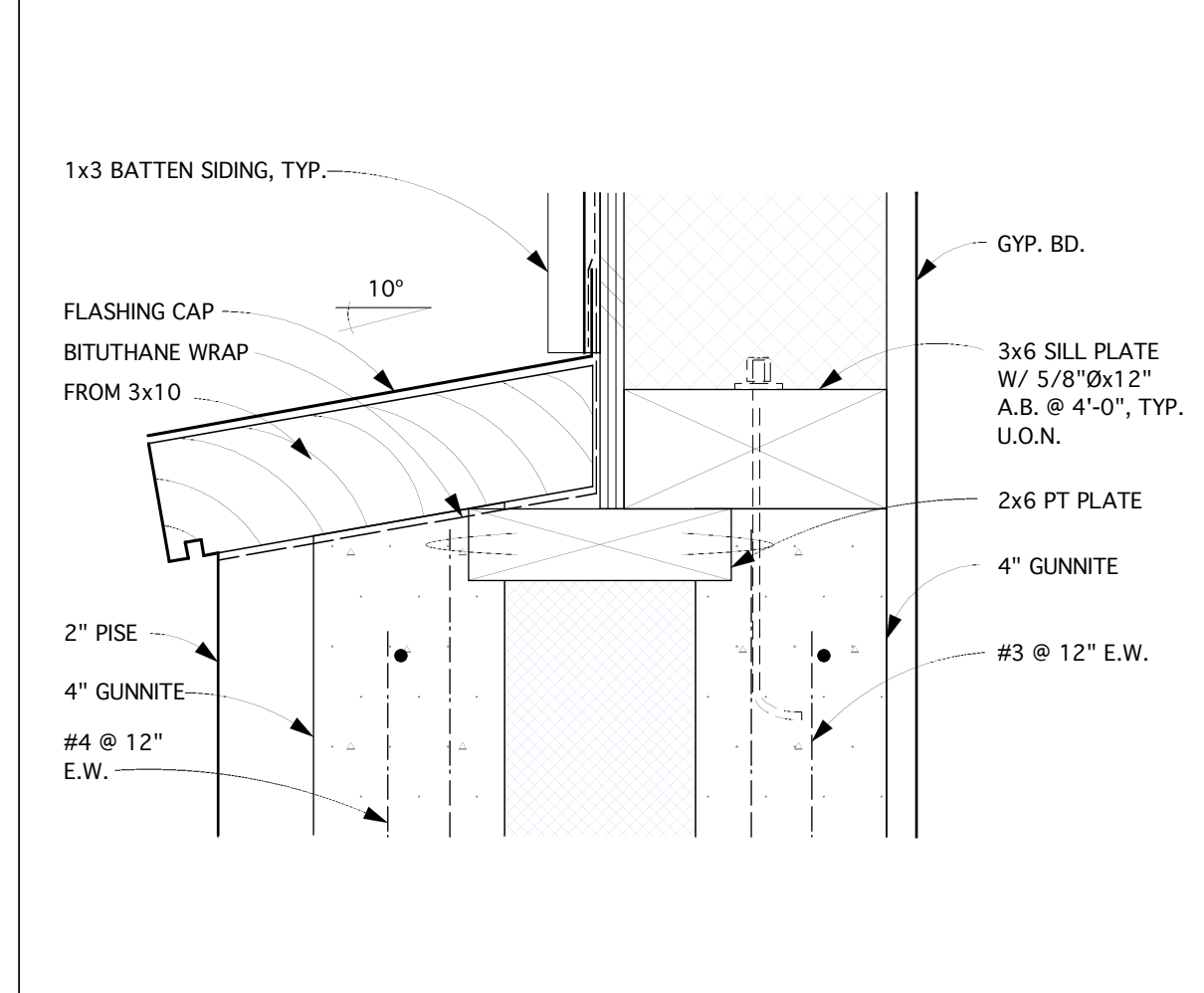
3 POST @ DOWNSPOUT  
 A6.0 SCALE: 3" = 1'-0"



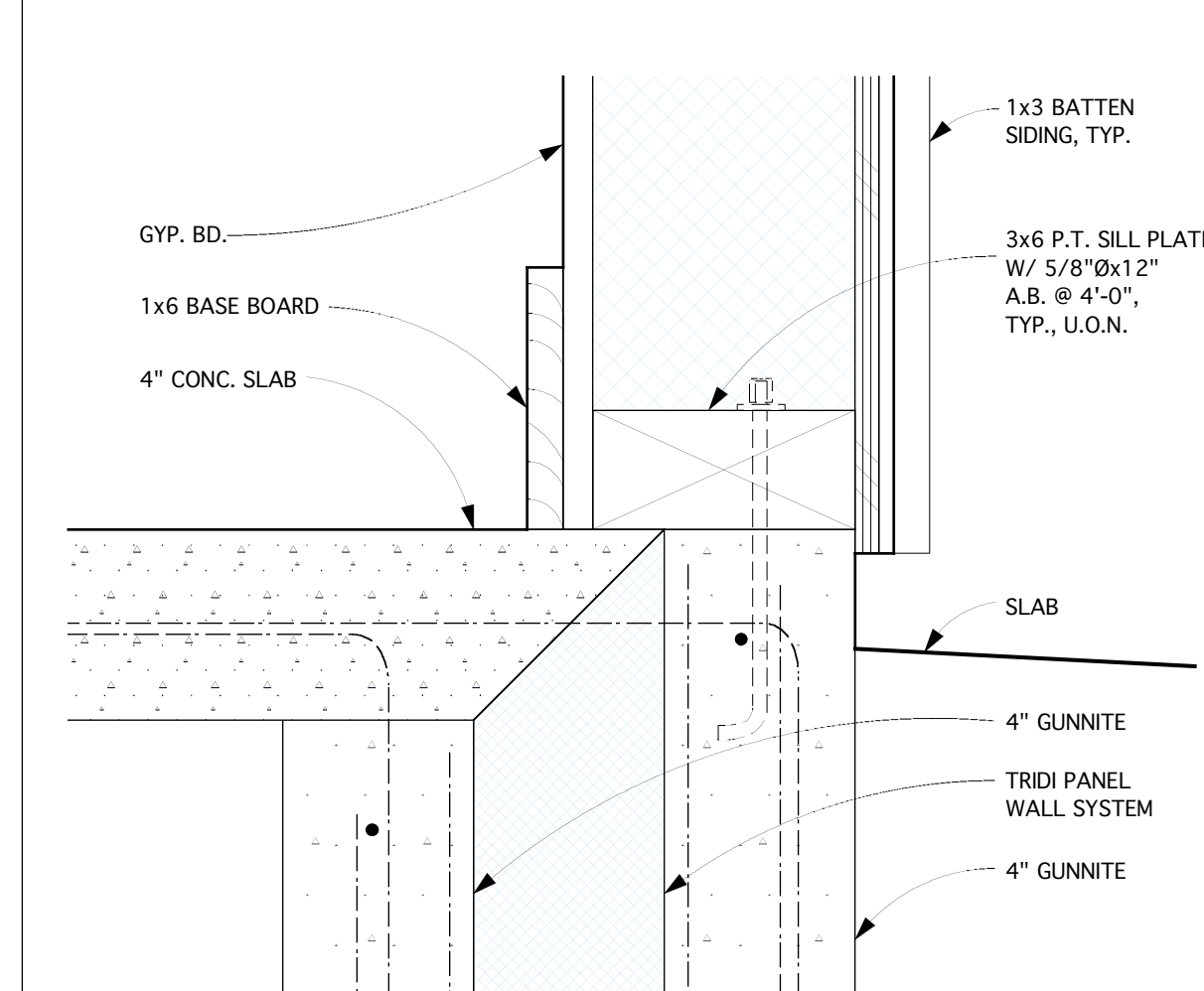
18 WALL TO WALL @ G. BDRM  
 A6.0 SCALE: 3" = 1'-0"



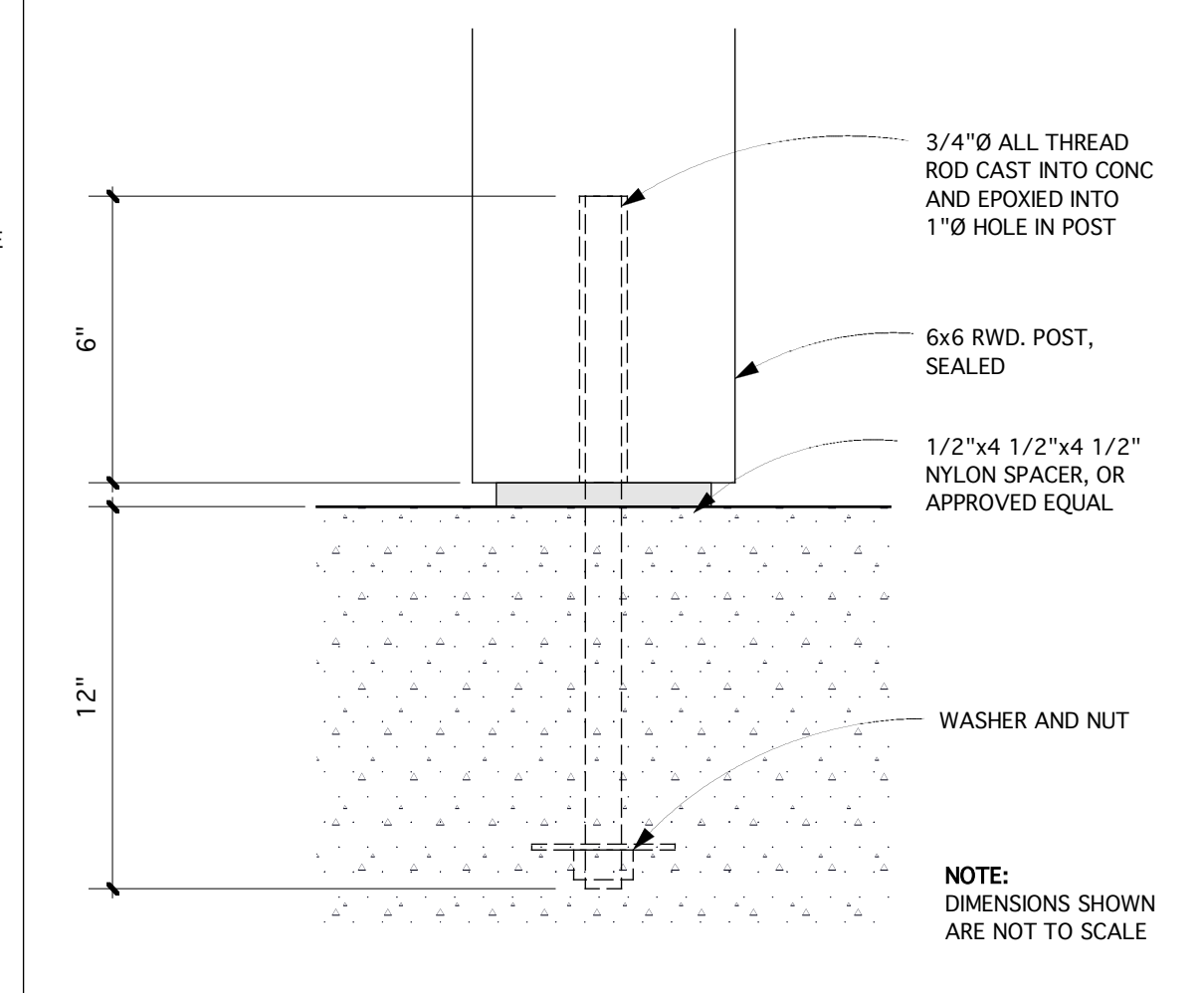
14 M. BEDROOM FLOOR TRANSITION  
 A6.0 SCALE: 2" = 1'-0"



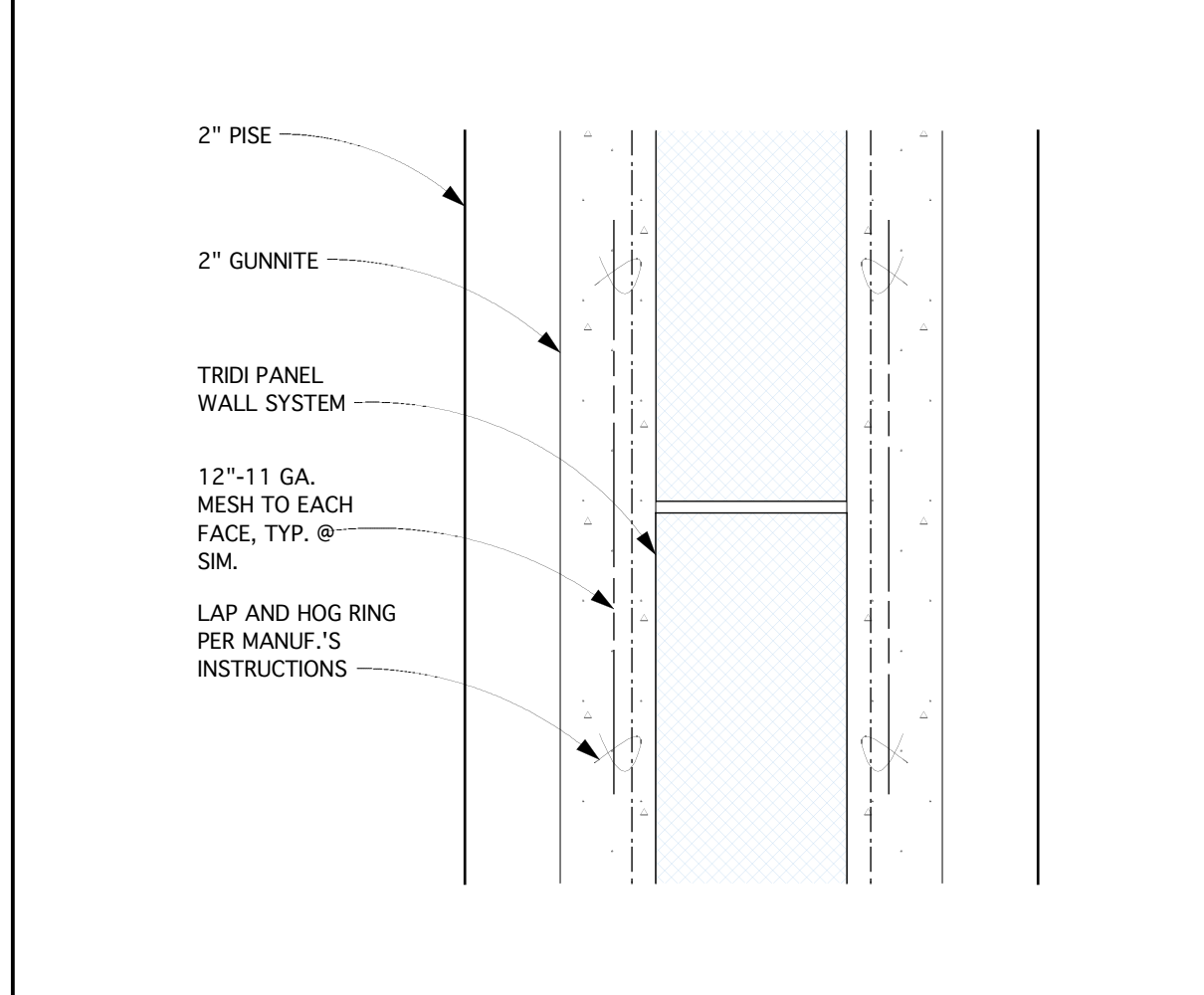
10 WALL CAP  
 A6.0 SCALE: 3" = 1'-0"



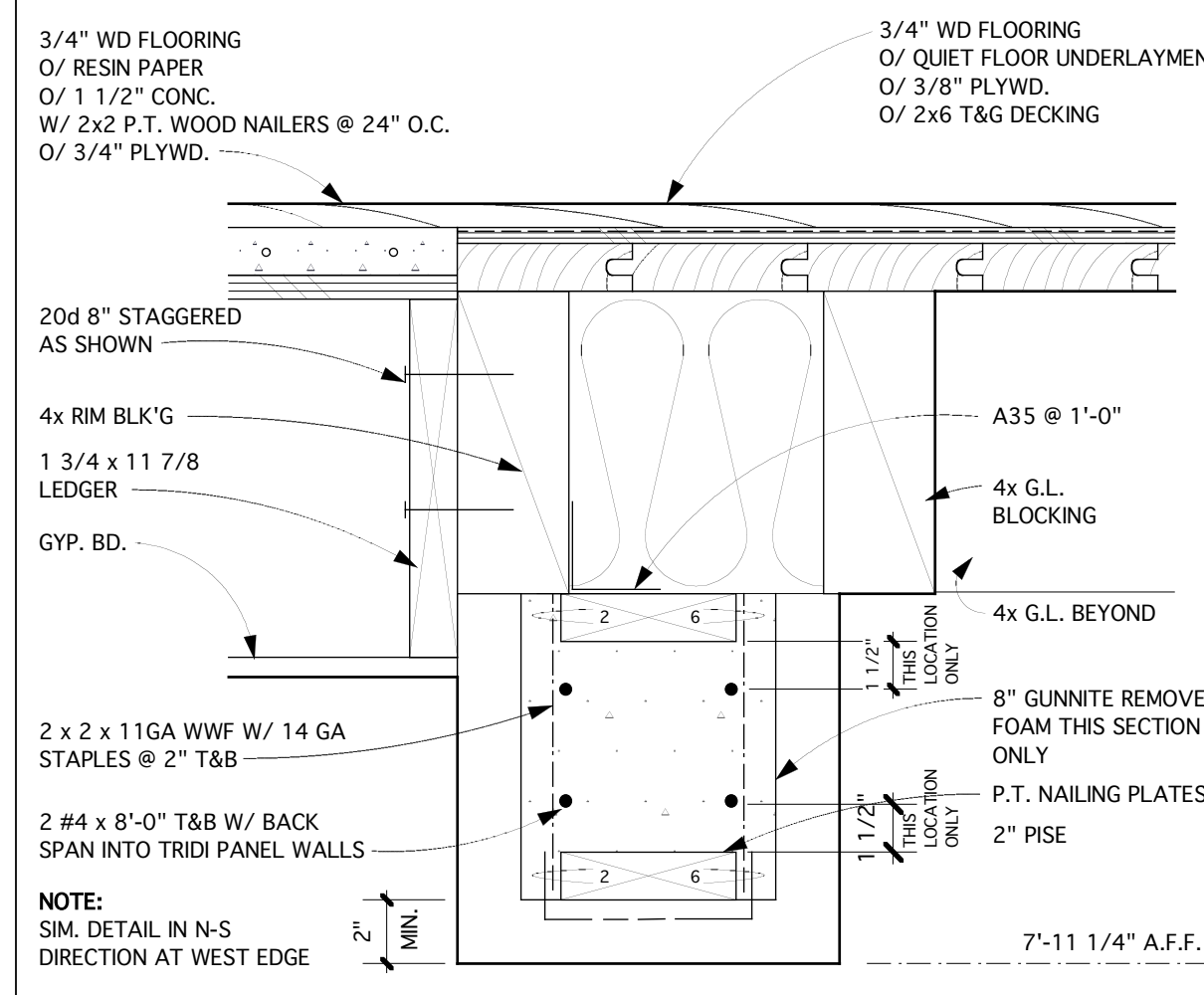
2 POST BASE  
 A6.0 SCALE: 3" = 1'-0"



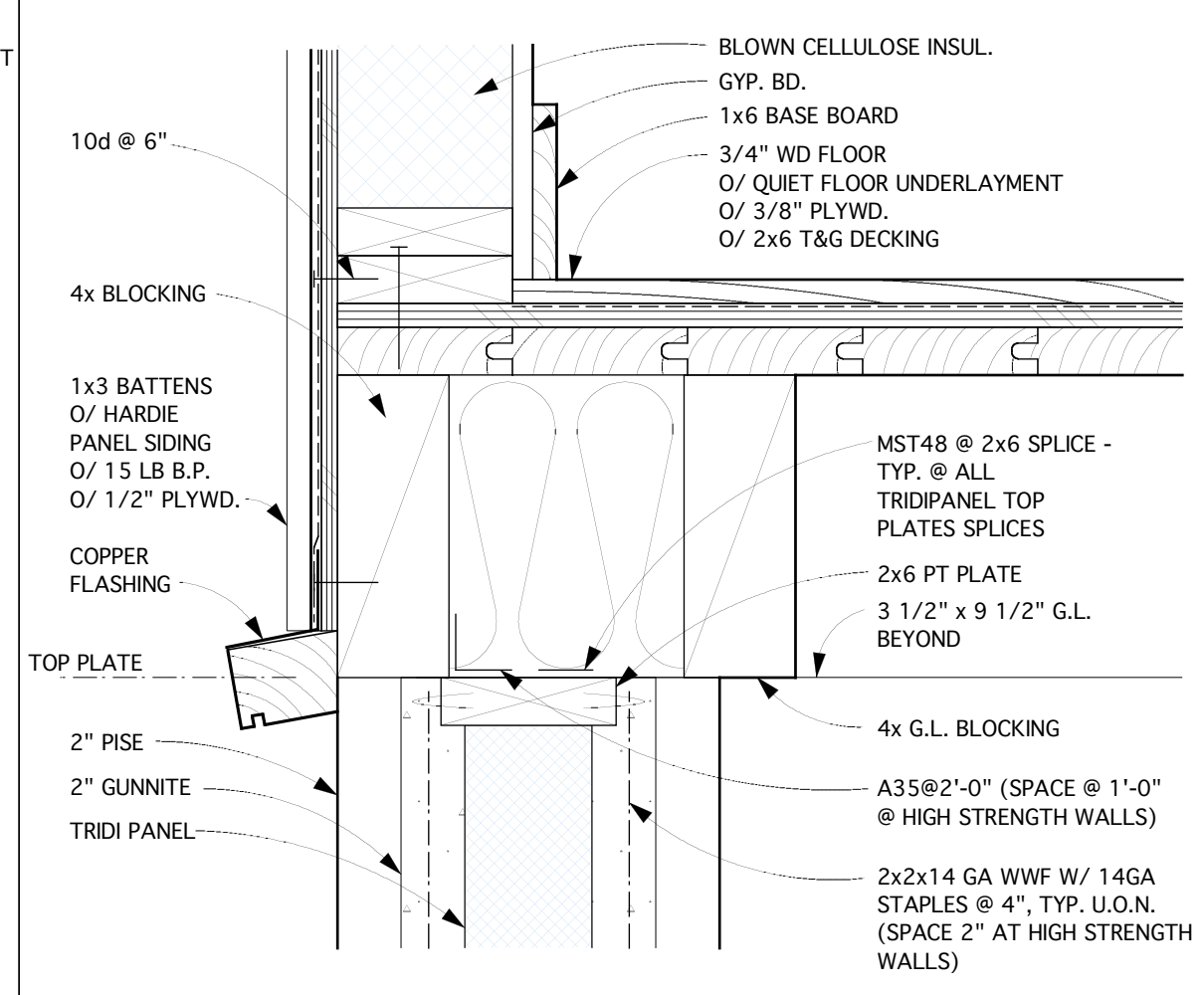
2 POST BASE  
 A6.0 SCALE: 3" = 1'-0"



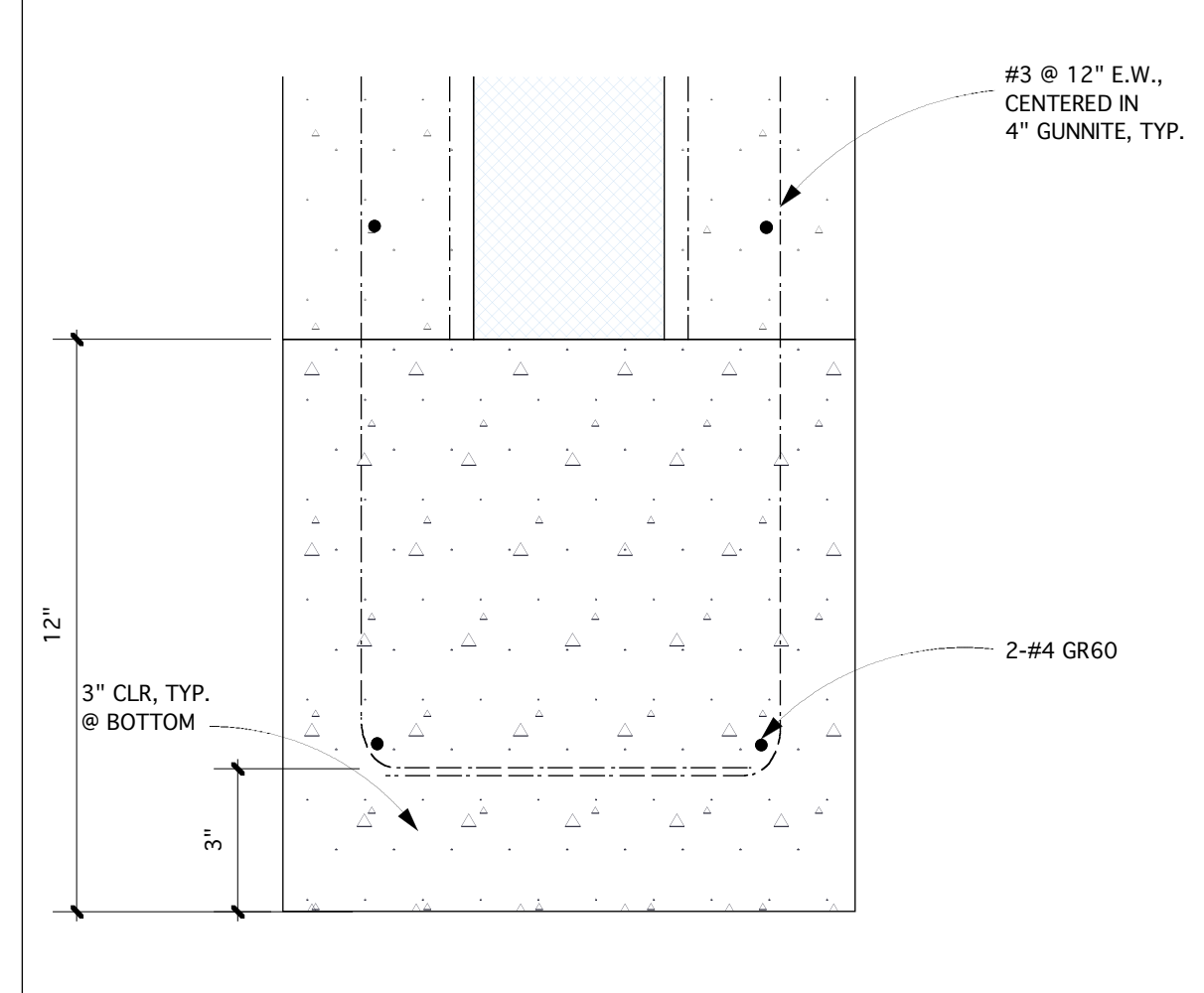
17 TRIDI PANEL JOINT  
 A6.0 SCALE: 3" = 1'-0"



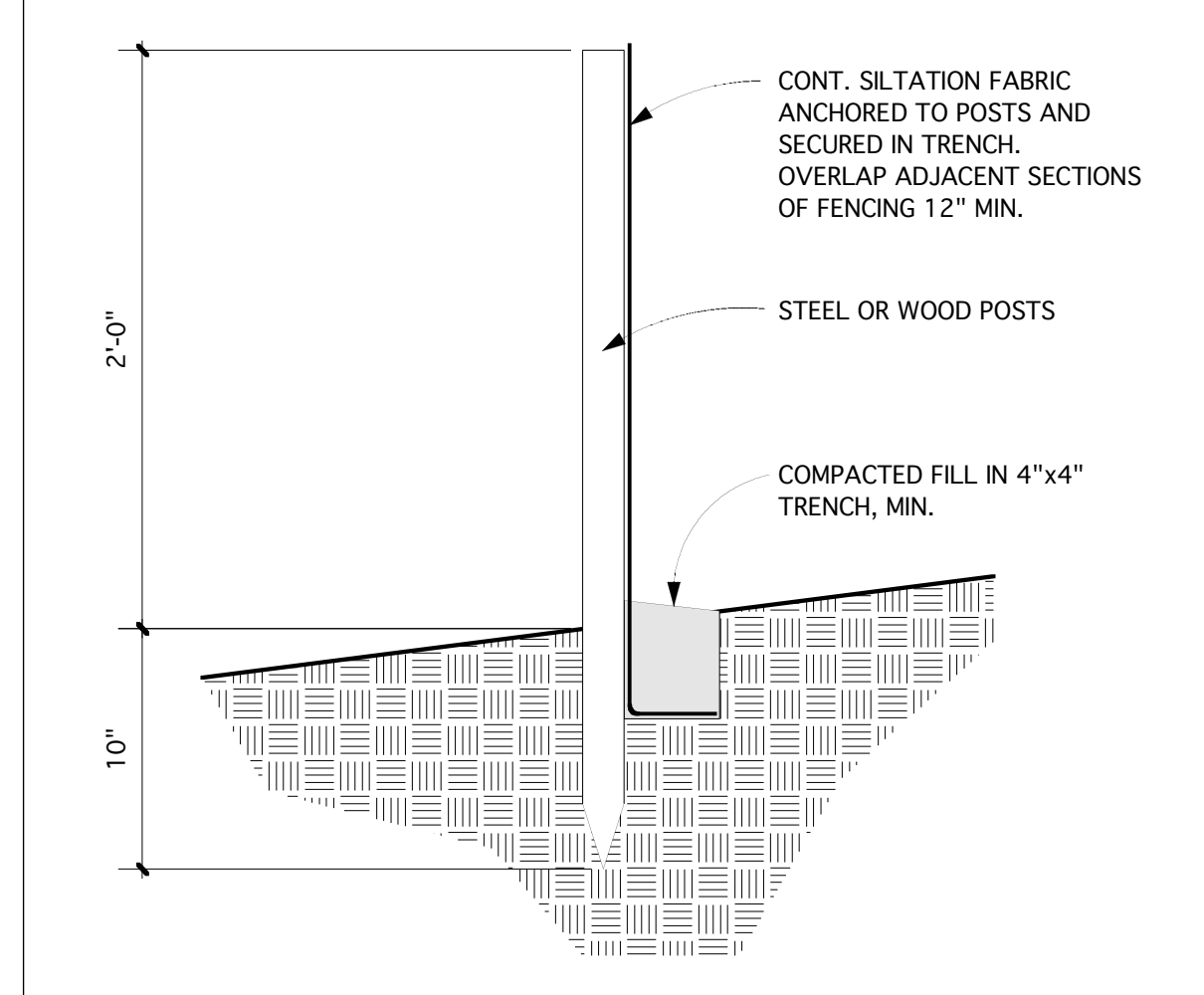
13 FLOOR TRANSITION @ WEST WING  
 A6.0 SCALE: 2" = 1'-0"



9 WALL TO FLOOR  
 A6.0 SCALE: 2" = 1'-0"



5 FDN @ LAUNDRY/PANTRY/ENTRY  
 A6.0 SCALE: 3" = 1'-0"



1 SILTATION FENCE  
 A6.0 SCALE: 1 1/2" = 1'-0"

**ARKIN • TILT ARCHITECTS**  
 Ecological  
 Planning  
 & Design  
 1101 8th St.  
 Suite 180  
 Berkeley, CA 94710  
 telephone  
 510.528.9830  
 facsimile  
 510.528.0206  
 e mail  
 info@arkintilt.com  
 website  
 www.arkintilt.com

NEW RESIDENCE for  
**CINDY BICKERSTAFF & MARK HOLLER**  
 1877 MOUNT VEEDEER ROAD  
 NAPA, CA 94558  
 A.P.N. 34-110-47

**DETAILS**  
 DATE: 03.15.06  
 JOB: BH  
 SCALE: AS NOTED  
 DRAWN:  
 SHEET:  
**A6.0**